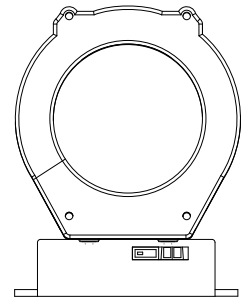


# AC Current Transducer AKR 2000 C420L J

Transducer for the electronic measurement high AC waveforms current, with galvanic separation between the primary circuit and the secondary circuit with large aperture, jumper selectable ranges and True RMS 4-20 mA current output.

$I_{PN} = 2000 \text{ A}$



## Electrical data

Primary nominal current $I_{PN}$ (At RMS) 2000	Analogue output voltage <sup>1)</sup> $I_{out}$ (mA) 4-20	Type <b>AKR 2000 C420L J</b>
$U_C$ Supply voltage (Loop powered)	24	V DC
$R_L$ Load resistance	see power supply diagram	

## Accuracy - Dynamic performance data

$\epsilon_{tot}$ Total error @ $I_{PN}, T_A = 25 \text{ }^\circ\text{C}$	$\pm 1$	%
$t_{D90}$ Delay time to 90 % of the final output value for $I_{PN}$ step 600		ms
$BW$ Frequency bandwidth	10-400	Hz

## General data

$T_A$ Ambient operating temperature (0-95 % RH)	-20 ... +50	$^\circ\text{C}$
$T_{A, st}$ Ambient storage temperature	-20 ... +85	$^\circ\text{C}$
$m$ Mass	450	g
Sandards	IEC 61010-1: 2001 EN 61326-1: 2005 <sup>2)</sup>	

Notes: <sup>1)</sup> For 4-20 mA output model, no saturation output up to 23 mA.

<sup>2)</sup> For IEC 61000-4-3 Criterion B: temporary impairment to operational behavior.

### Selecting the transducer

VFD (Variable Frequency Drive) and SCR (Semi Conductor Rectifier) output waveforms are rough approximations of a sine wave. There are numerous spikes and dips in each cycle. AKR transducers use a mathematical algorithm called "True RMS", which integrates the actual waveform over time. True RMS is the only way to accurately measure distorted AC waveforms. Select AKR transducers for nonlinear loads or in "noisy" power environments.

### Features

- VFD and SCR waveforms current measurement
- True RMS responding
- 4-20 mA current output
- 76 mm aperture diameter
- Loop powered transducers
- Panel mounting
- Jumper selectable ranges.

### Advantages

- Large aperture
- High insulation between primary and secondary circuits
- Easy to mount
- No insertions losses.

### Applications

- Large Pumps  
Detect dry run electronically
- Generation  
Measure the output of generators
- Electric Heating Elements  
- Monitors heater load  
- Faster response than temperature transducers.

### Application domain

- Renewable Energies and Power Supplies.

## AC current Transducer AKR 2000 C420L J

### Insulation coordination

$U_d$	RMS voltage for AC insulation test <sup>1)</sup> , 50 Hz, 1 min	600	V AC
$U_{Nm}$	Rated insulation RMS voltage <sup>2)</sup> , reinforced or basic insulation, CAT III, PD2	150	V AC

**Notes:** <sup>1)</sup> Between primary (completely filling the primary aperture) and secondary

<sup>2)</sup> If insulated cable is used for the primary circuit, the voltage category could be improved according to the insulation coordination given by the cable manufacturer. For example:

Cable insulation (primary):	Category:
HAR 05	600 V CAT III
HAR 07	1000 V CAT III

### Safety and warning notes

In order to guarantee safe operation of the transducer and to be able to make proper use of all features and functions, please read these instructions thoroughly! Safe operation can only be guaranteed if the transducer is used for the purpose it has been designed for and within the limits of the technical specifications. Ensure you get up-to-date technical information that can be found in the latest associated datasheet under [www.lem.com](http://www.lem.com).



#### Caution! Risk of danger

Ignoring the warnings can lead to serious injury and/or cause damage! The electric measuring transducer may only be installed and put into operation by qualified personnel that have received an appropriate training. The corresponding national regulations shall be observed during installation and operation of the transducer and any electrical conductor. The transducer shall be used in electric/electronic equipment with respect to applicable standards and safety requirements and in accordance with all the related systems and components manufacturer's operating instructions.

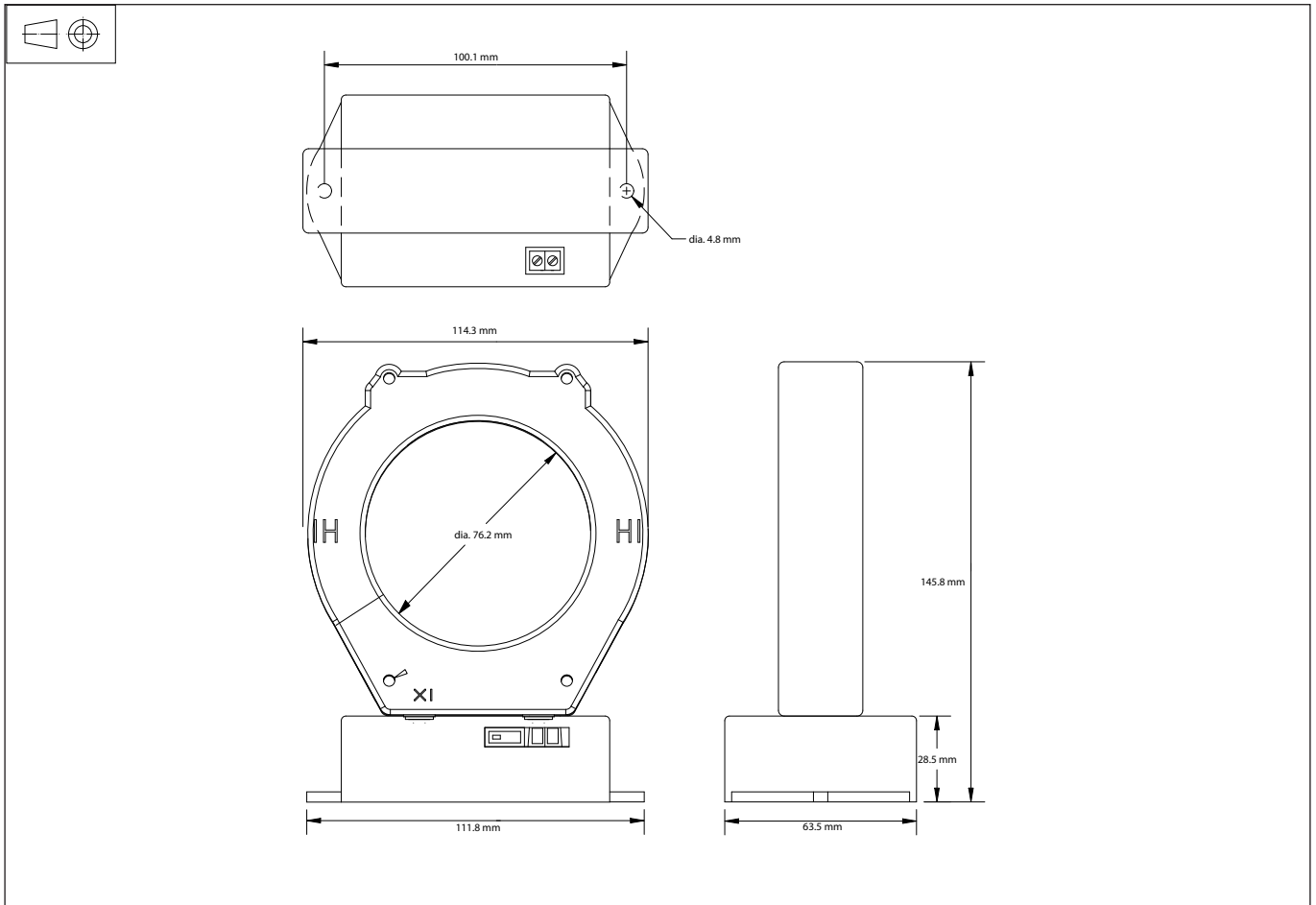


#### Caution, Risk of electrical shock

When operating the transducer, certain parts of the module may carry hazardous live voltage (eg. primary conductor, power supply). The user shall ensure to take all measures necessary to protect against electrical shock. The transducer is a build-in device containing conducting parts that shall not be accessible after installation. A protective enclosure or additional insulation barrier may be necessary. The transducer shall not be put into operation if the jaw opening is open (split core version) or the installation is not completed. Installation and maintenance shall be done with the main power supply disconnected except if there are no hazardous live parts in or in close proximity to the system and if the applicable national regulations are fully observed.

Safe and trouble-free operation of this transducer can only be guaranteed if transport, storage and installation are carried out correctly and operation and maintenance are carried out with care.

## Dimensions AKR 2000 C420L J (in mm)

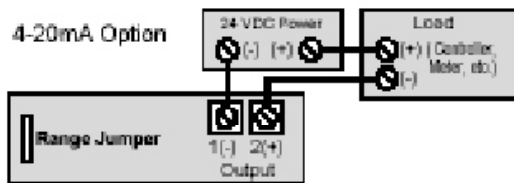


### Mechanical characteristics

- General tolerance  $\pm 1$  mm
- Primary aperture  $\varnothing 76.2$  mm
- Panel mounting 2 holes  $\varnothing 4.8$  mm  
Distance between holes centers 100.1 mm

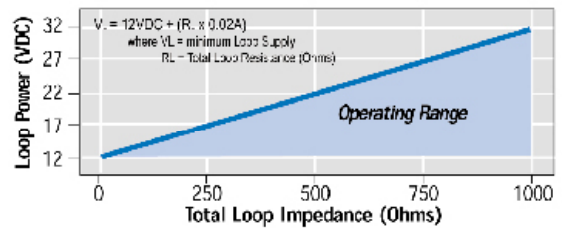
### Connections

- 2  $\times$  UNC8 Cylindric head



- Notes:
- Captive screw terminals.
  - 12-22 AWG solid or stranded.
  - Observe polarity.

### Power Supply diagram



### Remark

- Temperature of the primary conductor should not exceed 60° C.

## IMPORTANT NOTICE

The information in this document is considered accurate and reliable. However, LEM International SA and any company directly or indirectly controlled by LEM Holding SA ("LEM") do not provide any guarantee or warranty, expressed or implied, regarding the accuracy or completeness of this information and are not liable for any consequences resulting from its use. LEM shall not be responsible for any indirect, incidental, punitive, special, or consequential damages (including, but not limited to, lost profits, lost savings, business interruption, costs related to the removal or replacement of products, or rework charges) regardless of whether such damages arise from tort (including negligence), warranty, breach of contract, or any other legal theory.

LEM reserves the right to update the information in this document, including specifications and product descriptions, at any time without prior notice. Information in this document replaces any previous versions of this document. No license to any intellectual property is granted by LEM through this document, either explicitly or implicitly. Any Information and product described herein is subject to export control regulations.

LEM products may possess either unidentified or documented vulnerabilities. It is the sole responsibility of the purchaser to design and operate their applications and products in a manner that mitigates the impact of these vulnerabilities. LEM disclaims any liability for such vulnerabilities. Customers must select products with security features that best comply with applicable rules, regulations, and standards for their intended use. The purchaser is responsible for making final design decisions regarding its products and for ensuring compliance with all legal, regulatory, and security-related requirements, irrespective of any information or support provided by LEM.

LEM products are not intended, authorized, or warranted for use in life support, life-critical, or safety-critical systems or equipment, nor in applications where failure or malfunction of an LEM product could result in personal injury, death, or significant property or environmental damage. LEM and its suppliers do not assume liability for the inclusion and/or use of LEM products in such equipment or applications; thus, this inclusion and/or use is at the purchaser's own and sole risk. Unless explicitly stated that a specific LEM product is automotive qualified, it should not be used in automotive applications. LEM does not accept liability for the inclusion and/or use of non-automotive qualified products in automotive equipment or applications.

Applications that are described herein are for illustrative purposes only. LEM makes no representation or warranty that LEM products will be suitable for a particular purpose, a specified use or application. The purchaser is solely responsible for the design and operation of its applications and devices using LEM products, and LEM accepts no liability for any assistance with any application or purchaser product design. It is purchaser's sole responsibility to determine whether the LEM product is suitable and fit for the purchaser's applications and products planned, as well as for the planned application and use of purchaser's third-party customer(s).

Stressing and using LEM products at or above limiting values will cause permanent damage to the LEM product and potentially to any device embedding or operating with LEM product. Limiting values are stress ratings only and operation of the LEM product at or above conditions and limits given in this document is not warranted. Continuous or repeated exposure to limiting values will permanently and irreversibly affect the quality and reliability of the LEM product.

LEM products are sold subject to the general terms and conditions of commercial sale, as published at [www.lem.com](http://www.lem.com) unless otherwise agreed in a specific written agreement. LEM hereby expressly rejects the purchaser's general terms and conditions for purchasing LEM products by purchaser. Any terms and conditions contained in any document issued by the purchaser either before or after issuance of any document by LEM containing or referring to the general terms and conditions of sale are explicitly rejected and disregarded by LEM, and the document issued by the purchaser is wholly inapplicable to any sale or licensing made by LEM and is not binding in any way on LEM.

**© 2025 LEM INTERNATIONAL SA – All rights reserved**