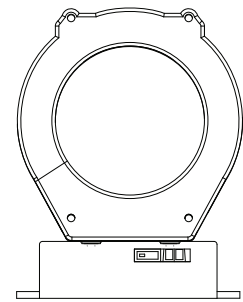


AC Current Transducer AKR 2000 C420L J

Transducer for the electronic measurement high AC waveforms current, with galvanic separation between the primary circuit and the secondary circuit with large aperture, jumper selectable ranges and True RMS 4-20 mA current output.



$I_{PN} = 2000 \text{ A}$



Electrical data

| | | |
|--|---|---------------------------------|
| Primary nominal current I_{PN} (At RMS) 2000 | Analogue output voltage ¹⁾ I_{out} (mA) 4-20 | Type AKR 2000 C420L J |
| U_C Supply voltage (Loop powered) | 24 | V DC |
| R_L Load resistance | see power supply diagram | |

Accuracy - Dynamic performance data

| | | |
|--|---------|----|
| ϵ_{tot} Total error @ $I_{PN}, T_A = 25 \text{ }^\circ\text{C}$ | ± 1 | % |
| t_{D90} Delay time to 90 % of the final output value for I_{PN} step 600 | | ms |
| BW Frequency bandwidth | 10-400 | Hz |

General data

| | | |
|---|---|------------------|
| T_A Ambient operating temperature (0-95 % RH) | -20 ... +50 | $^\circ\text{C}$ |
| $T_{A, st}$ Ambient storage temperature | -20 ... +85 | $^\circ\text{C}$ |
| m Mass | 450 | g |
| Sandards | IEC 61010-1: 2001 EN 61326-1: 2005 ²⁾ | |

Notes: ¹⁾ For 4-20 mA output model, no saturation output up to 23 mA.
²⁾ For IEC 61000-4-3 Criterion B: temporary impairment to operational behavior.

Selecting the transducer

VFD (Variable Frequency Drive) and SCR (Semi Conductor Rectifier) output waveforms are rough approximations of a sine wave. There are numerous spikes and dips in each cycle. AKR transducers use a mathematical algorithm called "True RMS", which integrates the actual waveform over time. True RMS is the only way to accurately measure distorted AC waveforms. Select AKR transducers for nonlinear loads or in "noisy" power environments.

Features

- VFD and SCR waveforms current measurement
- True RMS responding
- 4-20 mA current output
- 76 mm aperture diameter
- Loop powered transducers
- Panel mounting
- Jumper selectable ranges.

Advantages

- Large aperture
- High insulation between primary and secondary circuits
- Easy to mount
- No insertions losses.

Applications

- Large Pumps
Detect dry run electronically
- Generation
Measure the output of generators
- Electric Heating Elements
- Monitors heater load
- Faster response than temperature transducers.

Application domain

- Renewable Energies and Power Supplies.

AC current Transducer AKR 2000 C420L J

Insulation coordination

| | | | |
|----------|---|-----|------|
| U_d | RMS voltage for AC insulation test ¹⁾ , 50 Hz, 1 min | 600 | V AC |
| U_{Nm} | Rated insulation RMS voltage ²⁾ , reinforced or basic insulation, CAT III, PD2 | 150 | V AC |

Notes: ¹⁾ Between primary (completely filling the primary aperture) and secondary

²⁾ If insulated cable is used for the primary circuit, the voltage category could be improved according to the insulation coordination given by the cable manufacturer. For example:

| | |
|-----------------------------|----------------|
| Cable insulation (primary): | Category: |
| HAR 05 | 600 V CAT III |
| HAR 07 | 1000 V CAT III |

Safety and warning notes

In order to guarantee safe operation of the transducer and to be able to make proper use of all features and functions, please read these instructions thoroughly! Safe operation can only be guaranteed if the transducer is used for the purpose it has been designed for and within the limits of the technical specifications. Ensure you get up-to-date technical information that can be found in the latest associated datasheet under www.lem.com.



Caution! Risk of danger

Ignoring the warnings can lead to serious injury and/or cause damage! The electric measuring transducer may only be installed and put into operation by qualified personnel that have received an appropriate training. The corresponding national regulations shall be observed during installation and operation of the transducer and any electrical conductor. The transducer shall be used in electric/electronic equipment with respect to applicable standards and safety requirements and in accordance with all the related systems and components manufacturer's operating instructions.

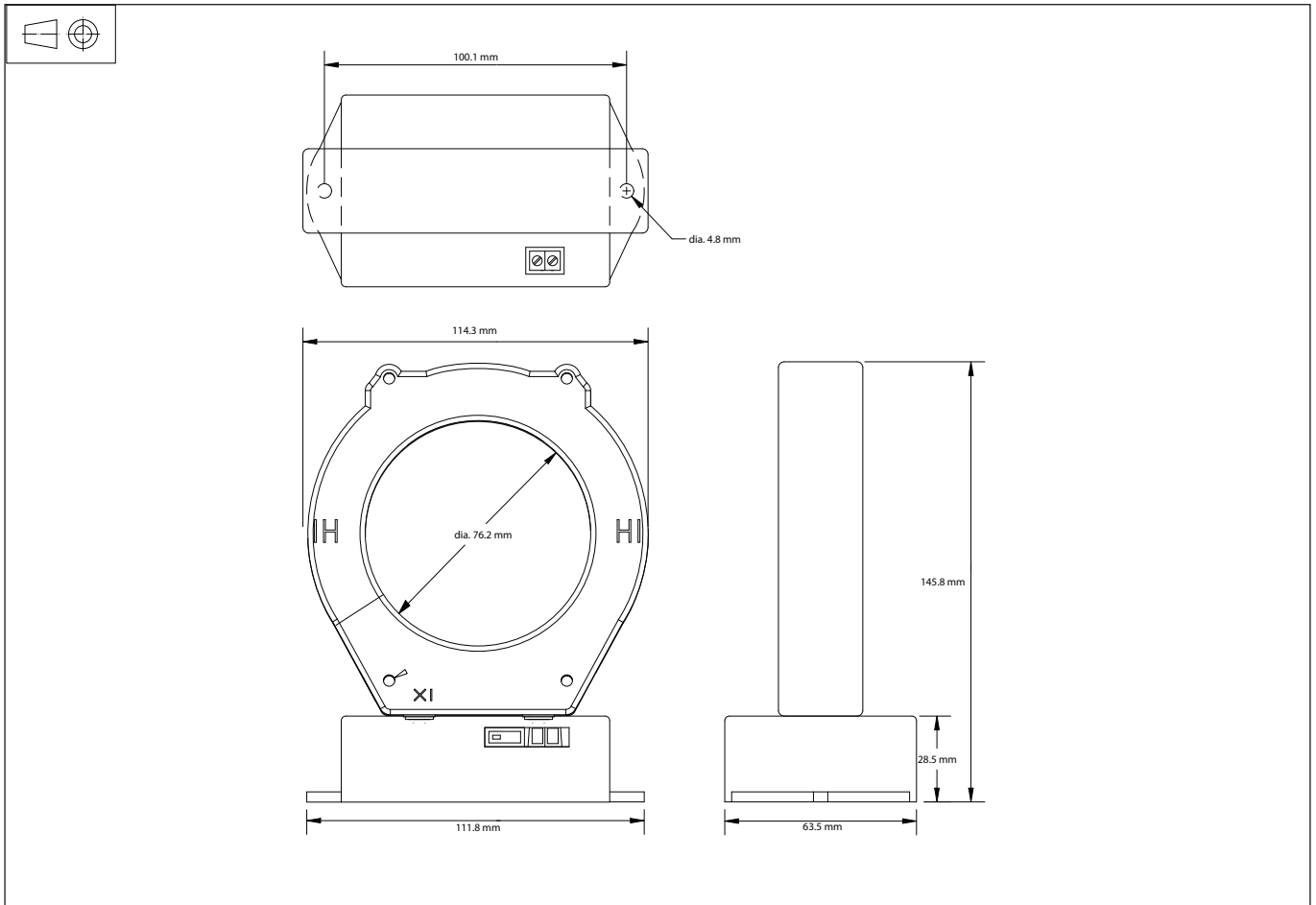


Caution, Risk of electrical shock

When operating the transducer, certain parts of the module may carry hazardous live voltage (eg. primary conductor, power supply). The user shall ensure to take all measures necessary to protect against electrical shock. The transducer is a build-in device containing conducting parts that shall not be accessible after installation. A protective enclosure or additional insulation barrier may be necessary. The transducer shall not be put into operation if the jaw opening is open (split core version) or the installation is not completed. Installation and maintenance shall be done with the main power supply disconnected except if there are no hazardous live parts in or in close proximity to the system and if the applicable national regulations are fully observed.

Safe and trouble-free operation of this transducer can only be guaranteed if transport, storage and installation are carried out correctly and operation and maintenance are carried out with care.

Dimensions AKR 2000 C420L J (in mm)



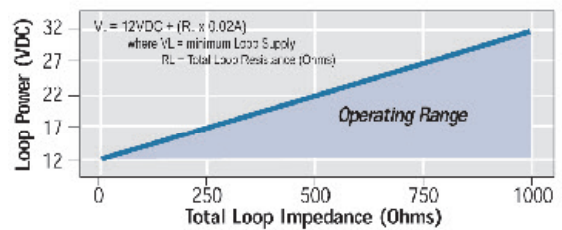
Mechanical characteristics

- General tolerance ± 1 mm
- Primary aperture $\varnothing 76.2$ mm
- Panel mounting 2 holes $\varnothing 4.8$ mm
Distance between holes centers 100.1 mm

Connections

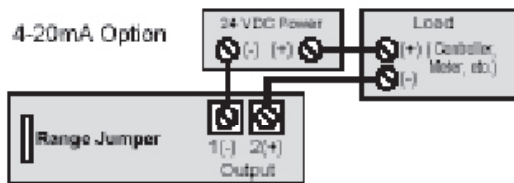
- 2 \times UNC8 Cylindric head

Power Supply diagram



Remark

- Temperature of the primary conductor should not exceed 60° C.



- Notes:
- Captive screw terminals.
 - 12-22 AWG solid or stranded.
 - Observe polarity.