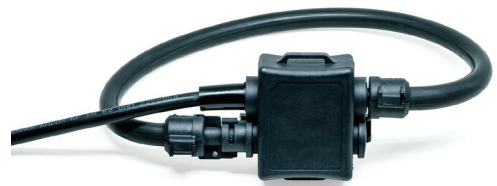


ARH-B22-D70

Flexible clip-around Rogowski coil for the electronic measurement of AC current with galvanic separation between the primary circuit (power) and the secondary circuit (measurement). The patented Perfect Loop Technology dramatically reduces both the error due to the position of the measured conductor within the aperture, and the error due to the proximity of external conductors. With an extended temperature range up to 105 °C (125 °C in direct contact), ARH is a versatile solution for current measurement ideal for busbars or convenient for cables in low voltage energy distributions switchboards.



Features

- Extended temperature range: up to 105 °C operating temperature and 125 °C in direct contact with busbar
- Class 0.5 (IEC 61869-10)
- Very low positioning error
- UL and IEC 61010
- Thin coil (8 mm)
- Small external fields influence
- Low sensitivity 22.5 mV/kA to have a very thin coil for indoor application
- Electrostatic shield included for better common mode rejection of the integrator
- Protection degree IP57
- Ø 70 mm sensing aperture
- 1 m output cable length.

Advantages

- Can be installed in contact to the busbar without additional accessories
- Fast and easy installation without needs to dimount the busbars
- Very good accuracy
- Excellent immunity to electromagnetic interferences.

Applications

- Retrofit of low voltage switchgear for power monitoring
- Energy efficiency, consumption analysis & cost allocation, switchgear monitoring
- Power quality of energy distribution systems
- Commercial and industrial buildings
- Utility low voltage distribution substations.

Standards

- IEC 61010-1:2010/AMD1: 2016
- IEC 61010-2-032: 2012
- IEC 61869-10: 2017
- UL 61010-1: 2016
- UL 61010-2-032: 2012.

Application Domains

- Industrial
- Smart Grid.

Safety



Caution

If the device is used in a way that is not specified by the manufacturer, the protection provided by the device may be compromised. Always inspect the current sensor unit and connecting cable before using this product and do not use it if damaged (for example, if the contrasting color of the flexible rope is visible).

Mounting assembly shall guarantee the maximum primary busbar temperature, fulfill clearance and creepage distance, minimize electric and magnetic coupling, and unless otherwise specified can be mounted in any orientation.



Caution, risk of electrical shock

This current sensor must be used in electric/electronic equipment with respect to applicable standards and safety requirements in accordance with the manufacturer's operating specifications.

This current sensor is intended for use in an electrical installation with restricted access. Therefore, in normal operation, it is not accessible. For installation or in maintenance phases, it is accessible only to qualified person.

It is intended to be connected onto SELV equipment input, of up to 30 V RMS.

When operating, certain parts of the current sensor can carry hazardous voltages (e.g. primary busbar, power supply).

De-energize all circuits and hazardous live parts before installing the product.

All installations, maintenance, servicing operations and use must be carried out by trained and qualified personnel practicing applicable safety precautions.

If the current sensor is used in a manner not specified by the manufacturer, the protection provided by the equipment may be impaired.

Ignoring this warning can lead to injury and/or cause serious damage.

This current sensor is a build-in device, whose hazardous live parts must be inaccessible after installation.

This current sensor must be mounted in a suitable end-enclosure.

Use caution during installation, use and uninstalling of this product; high voltages and currents, high temperature (above 70° C) may be present inside the electrical equipment.

Use personal protective equipment (clothes, gloves, ...).

This current sensor is a built-in device, not intended to be cleaned with any product. Nevertheless if the user must implement cleaning or washing process, validation of the cleaning program has to be done by himself.

Do not dispose of this product as unsorted municipal waste. Contact a qualified recycler for disposal.



Risk of electrical shock

Do not apply around or remove from uninsulated hazardous live conductors which may result in electric shock, electric burn or arc flash.



Equipment protected throughout by double insulation or reinforced insulation.



Underwriters Laboratory Inc. recognized component.

Absolute maximum ratings

Parameter	Symbol	Unit	Value
Maximum secondary voltage	$U_{S \max}$	V	30
Maximum primary conductor temperature	$T_{B \max}$	°C	125

Stresses above these ratings may cause permanent damage.
Exposure to absolute maximum ratings for extended periods may degrade reliability.

UL 61010-1: Ratings and assumptions of certification

File # E330077, Vol.D2

Standards

- UL 61010-1, Third Edition, May 11, 2012, Revised April 29, 2016
- CAN/CSA-C22.2 No. 61010-1-12, 3rd Edition, Revision dated April 29, 2016
- IEC 61010-2-032: 2012 (3rd Edition), UL 61010-2-032 (IEC 61010-2-032: 2012)
- CAN/CSA-C22.2 No. 61010-2-032:14

Ratings

Rated insulation voltage AC 1000 V, 50/60 Hz, CAT III, 2000 A
Rated insulation voltage AC 600 V, 50/60 Hz, CAT IV, 2000 A

Engineering conditions of acceptability

The following Conditions of Acceptability have to be considered:

- ARH series has been investigated as Type B current sensors according IEC 61010-2-032 3rd ed.
- This series is considered as Open Device in the meaning of UL 61010-1, and it is intended to be installed in Industrial Control Equipment, where a suitable enclosure shall be provided in the end-use application.
- The current sensors have been evaluated for overvoltage category III (up to 1000 V AC) under Pollution Degree 2, or for overvoltage category IV (up to 600 V AC) under Pollution Degree 3.
- The current sensors have been evaluated for maximum output voltage 30 V (at 22.5 mV / 1 kA / 50 Hz sensitivity).
- Reinforced insulation between internal circuits or output wiring, and external surface of the enclosure (that can be in contact with hazardous voltage of the circuits under measurement) can be guaranteed only when the sleeve is connected to case (i.e. in the condition of closed loop); no reinforced insulation is guaranteed by the sleeve when not connected to the enclosure.

For ARH series the need for the following shall be considered in the end-product:

- Markings and documentation that comply with Clause 5.
- The following tests shall be performed in the end-product evaluation: Dielectric Strength.
- The unit is considered acceptable for use in 105 °C maximum surrounding air temperature.
- A suitable enclosure shall be provided in the end-use application.
- The terminals have not been evaluated for field wiring.
- Primary conductor or busbar temperature should never exceed 125 °C.

Insulation coordination

Parameter	Symbol	Unit	≤ Value	Comment
RMS voltage for AC insulation test, 50 Hz, 1 min	U_d	kV	7.4	
Impulse withstand voltage 1.2/50 μ s	U_{Ni}	kV	12.8	
Partial discharge RMS test voltage ($q_m < 10$ pC)	U_t	kV	1.65	According to IEC 60664- 1
Clearance (pri. - sec.)	d_{Cl}	mm	> 16	Shortest distance through air
Creepage distance (pri. - sec.)	d_{Cp}	mm	> 16	Shortest path along device body
Case material	-	-	V0	According to UL 94
Comparative tracking index	CTI		600	
Application example RMS voltage line-to-neutral		V	1000	Reinforced insulation according to IEC 61010-1 CAT III ¹⁾ , PD2
Application example RMS voltage line-to-neutral		V	600	Reinforced insulation according to IEC 61010-1 CAT IV ²⁾ , PD3

Environmental and mechanical characteristics

Parameter	Symbol	Unit	Min	Typ	Max	Comment
Ambient operating temperature	T_A	°C	-40		105	
Ambient storage temperature	T_{Ast}	°C	-40		105	
Relative humidity (non-condensing)	RH	%	0		95	
Altitude above sea level		m			2000	
Mass \varnothing 70	m	g		136		1 m cable length

- Notes:** ¹⁾ OVERVOLTAGE CATEGORY III is for equipment intended to form part of a building wiring installation.
²⁾ OVERVOLTAGE CATEGORY IV is for equipment installed at or near the origin of the electrical supply to a building, between the building entrance and the main distribution board.

Electrical data

 At $T_A = 25\text{ °C}$, $R_L = 10\text{ k}\Omega$, unless otherwise noted.

Parameter	Symbol	Unit	Min	Typ	Max	Comment
Rated primary current	I_{Pr}	A				Not applicable ¹⁾
Rated short-time thermal current	I_{th}	kA		300		@ 50 Hz ²⁾
Rated Sensitivity	S	$\mu\text{V/A}$		22.5		@ 50 Hz
Rated transformation ratio	k_r	kA/V		44.44		@ 50 Hz
Rated frequency	f_r	Hz		50/60		
Secondary voltage	U_s	mV		22.5		@ 50 Hz, $I_p = 1\text{ kA}$
Mutual inductance	M	nH		71.18		
Temperature coefficient of ratio error	$TC\varepsilon$	ppm/k		± 21		
Frequency bandwidth (+3 dB resonance (-3 dB))	BW	kHz			462 764 1151	³⁾ cable length 1 m
Phase displacement ⁴⁾ @ 50/60 Hz	$\Delta\varphi$	°		0.004		³⁾
Coil inductance	L_s	μH		201		
Coil resistance	R_s	Ω		62.2		
Ratio error (centered)	ε	%	-0.5		0.5	Class 0.5 accuracy according to IEC 61869-10
Ratio error (all positions)	ε	%	-0.75		0.75	⁵⁾ Including positioning error
Positioning error	ε_{POS}	%	-0.4		0.4	
Linearity error	ε_L	%		0		
Crosstalk error	ε_{XT}	%		± 0.4	± 0.6	⁶⁾

- Notes:**
- ¹⁾ The Rogowski coil can measure any primary current as there is no saturation effect.
 - ²⁾ Not tested given that in the worst case (load = 0 Ohm i.e. short circuit on the output) the peak dissipated power remains low (< 2 Watts).
 - ³⁾ Frequency bandwidth and phase shift modeling schematic can be provided on request.
 - ⁴⁾ Referring to the main phase offset of 90 ° (a Rogowski coil is a derivative current transducer).
 - ⁵⁾ Considering a primary conductor of at least $\varnothing 15\text{ mm}$, perpendicular and in contact with the Rogowski coil.
 - ⁶⁾ Considering an external conductor of at least $\varnothing 15\text{ mm}$ the same current level than internal conductor, perpendicular and on contact with the Rogowski coil.

Definition of typical, minimum and maximum values

Minimum and maximum values for specified limiting and safety conditions have to be understood as such as well as values shown in “typical” graphs.

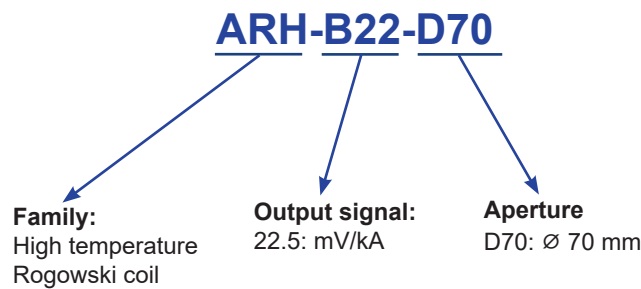
On the other hand, measured values are part of a statistical distribution that can be specified by an interval with upper and lower limits and a probability for measured values to lie within this interval.

Unless otherwise stated (e.g. “100 % tested”), the LEM definition for such intervals designated with “min” and “max” is that the probability for values of samples to lie in this interval is 99.73 %.

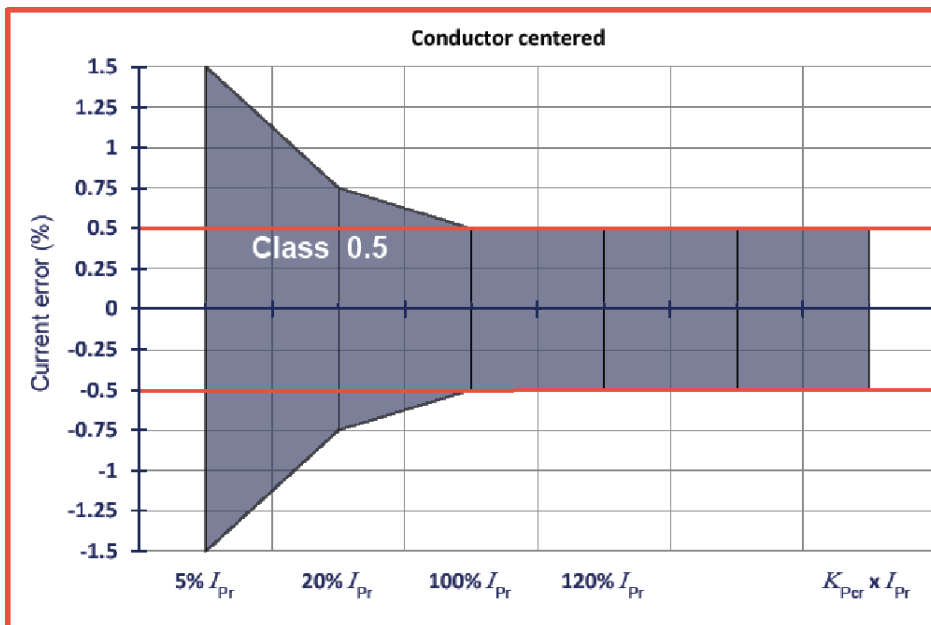
For a normal (Gaussian) distribution, this corresponds to an interval between -3 sigma and +3 sigma. If “typical” values are not obviously mean or average values, those values are defined to delimit intervals with a probability of 68.27 %, corresponding to an interval between -sigma and +sigma for a normal distribution.



Typical, minimum and maximum values are determined during the initial characterization of the product.

Name and codification



Accuracy class according to IEC 61869-10



-  Accuracy class limit of IEC 61869-10
-  Accuracy class limit of ARH-B22 Rogowski

Terms and definitions

Rated transformation ratio k_r

k_r is the ratio between the primary current I_p and the secondary voltage U_s :

$$k_r = \frac{I_p}{U_s}$$

Ratio error ε

The current ratio error, expressed as a percentage, is defined by the formula:

$$\varepsilon = \frac{k_r U_s - I_p}{I_p} \times 100 \%$$

Where:

- k_r : is the rated transformation ratio
- I_p : is the actual primary current
- U_s : is the actual secondary voltage when I_p is flowing

Phase displacement $\Delta\varphi$

The $\Delta\varphi$ is the difference in phase between the primary current and the ideal secondary voltage phasors. The direction of the phasors being that the angle is 90 ° (leading) for an ideal Rogowski coil.

The phase displacement is said to be positive when the secondary voltage phasor leads the primary current phasor.

Linearity error ε_L

The linearity error ε_L is the maximum positive or negative difference between the measured points and the linear regression line, expressed as a percentage of I_{pr} .

Rated short-time thermal current I_{th}

Maximum value of the primary current which the Rogowski will withstand for a specified short time without suffering harmful effects.

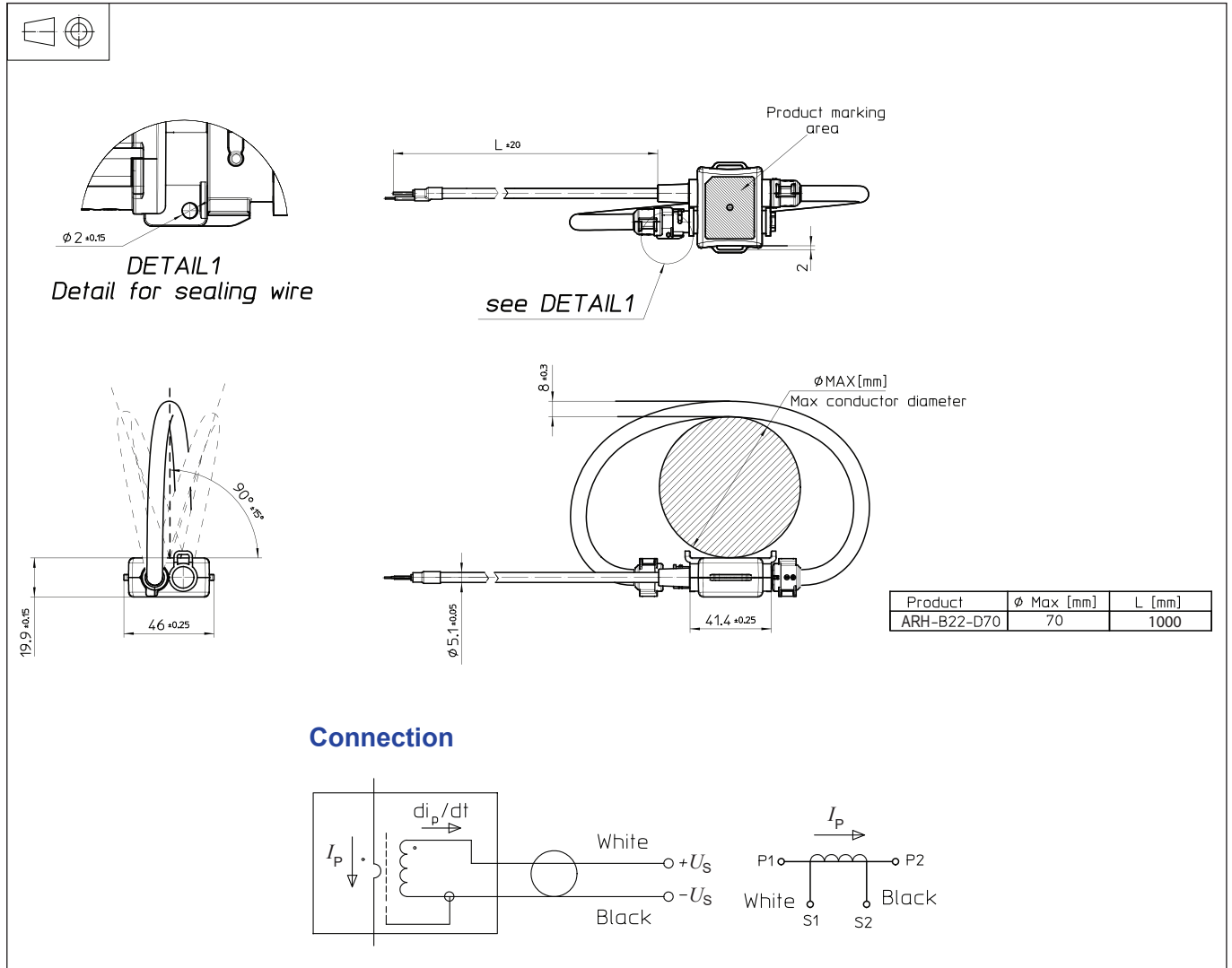
Crosstalk error ε_{XT}

The crosstalk error defines how an external current passing in a close proximity to the product influences its performance. The crosstalk error expressed in percentage is given by the formula:

$$\varepsilon_{XT} = \frac{S_{XT} - S_{ref}}{S_{ref}} \times 100 \%$$

Where:

- S_{ref} : is the sensitivity of the product measured in the center
- S_{XT} : is the sensitivity of the product measured with an external conductor of at least \varnothing 15 mm and with the same current level than internal conductor, perpendicular and in contact with the Rogowski coil.

Dimensions (in mm)

Mechanical characteristics

- General tolerance ± 1 mm
- Output cable length 1 m
- Cable tie maximum effort 50 N

Remarks

- $U_s = U_{s+} - U_{s-}$ is positive when an increasing primary current di/dt flows in the direction of the arrow (see "connection" diagram).
- Due to low positioning error (ϵ_{POS}), the device does not need to be physically fastened around the primary conductor. Should the device be secured, make sure no mechanical stress is applied to the coil itself.
- This product is not intended for outdoor use.
- Installation of the sensor must be done unless otherwise specified on the datasheet, according to LEM Sensor Generic Mounting Rules. Please refer to LEM document N°ANE120504 available on our Web site: <https://www.lem.com/en/file/3137/download/>.