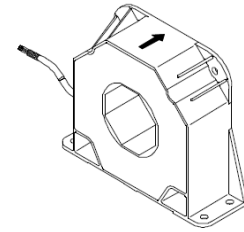


Current Transducer LF 2005-S/SP8

For the electronic measurement of currents: DC, AC, pulsed..., with galvanic separation between the primary circuit and the secondary circuit.



$$I_{PN} = 2000 \text{ A}$$



Electrical data

I_{PN}	Primary nominal RMS current	2000	A					
I_{PM}	Primary current, measuring range @ $\pm 24 \text{ V}$	0 ... ± 3700	A					
\hat{I}_{Pmax}	Primary withstand peak current (maximum) ¹⁾	80	kA					
R_M	Measuring resistance @	$T_A = 70 \text{ }^\circ\text{C}$		$T_A = 85 \text{ }^\circ\text{C}$				
		R_{Mmin}	R_{Mmax}	R_{Mmin}	R_{Mmax}			
	with $\pm 15 \text{ V}$	@ $\pm 1800 \text{ A}_{max}$	0	24.4	@ $\pm 1760 \text{ A}^{2)}$	0	10	Ω
		@ $\pm 2100 \text{ A}_{max}$	0	5.5	@ $\pm 2050 \text{ A}^{2)}$	0	5	Ω
		@ $\pm 2200 \text{ A}_{max}$	0	4.2		0	3	Ω
	with $\pm 24 \text{ V}$	@ $\pm 2000 \text{ A}_{max}$	3	27.2		3	26	Ω
		@ $\pm 3000 \text{ A}_{max}$	3	10.2	@ $\pm 2900 \text{ A}^{2)}$	3	10	Ω
		@ $\pm 3500 \text{ A}_{max}$	3	5.3	@ $\pm 3400 \text{ A}^{2)}$	3	5	Ω
@ $\pm 3700 \text{ A}_{max}$	3	3.7	@ $\pm 3630 \text{ A}^{2)}$	3	3	Ω		
I_{SN}	Secondary nominal RMS current	400	mA					
N_P/N_S	Turns ratio	1 : 5000						
U_C	Supply voltage ($\pm 10 \%$)	$\pm 15 \dots 24$	V					
I_C	Current consumption	33 (@ $\pm 24 \text{ V}$) + I_S	mA					

Accuracy - Dynamic performance data

ϵ_{tot}	Total error @ $I_{PN}, T_A = 25 \text{ }^\circ\text{C}$	± 0.4	%
ϵ_L	Linearity error	< 0.1	%
		Typ	Max
I_O	Offset current @ $I_P = 0, T_A = 25 \text{ }^\circ\text{C}$		± 0.5 mA
I_{OM}	Magnetic offset current @ $I_P = 0$ and specified R_M , after an overload of $3 \times I_{PN}$		± 0.2 mA
I_{OT}	Temperature variation of I_O	$-40 \text{ }^\circ\text{C} \dots +70 \text{ }^\circ\text{C}$	± 0.2 mA
		$-50 \text{ }^\circ\text{C} \dots +85 \text{ }^\circ\text{C}$	± 0.8 mA
t_{D90}	Delay time to 90 % of the final output value for I_{PN} step ³⁾ < 1		μs
BW	Frequency bandwidth (-1 dB)	DC ... 100	kHz

General data

T_A	Ambient operating temperature	$-40 (-50) \dots +85 \text{ }^\circ\text{C}$	
T_{Ast}	Ambient storage temperature	$-50 \dots +85 \text{ }^\circ\text{C}$	
R_S	Resistance of secondary winding	@ $T_A = 70 \text{ }^\circ\text{C}$	24 Ω
		@ $T_A = 85 \text{ }^\circ\text{C}$	25 Ω
m	Mass	1.5	kg
	Standards	EN 50155: 2017 ⁴⁾ EN 50121-3-2: 2016	

Notes: ¹⁾ Not measurable

²⁾ I_{PN} @ $85 \text{ }^\circ\text{C}$ & customer measuring resistance

³⁾ For a $di/dt = 100 \text{ A}/\mu\text{s}$

⁴⁾ Additional information available on request.

N° 97.14.69.008.0

21 July 2021 / version 6

LEM reserves the right to carry out modifications on its transducers, in order to improve them, without prior notice

Features

- Closed loop (compensated) current transducer using the Hall effect
- Insulating plastic case recognized according to UL 94-V0.

Special features

- $I_{PM} = 0 \dots \pm 3700 \text{ A}$
- $U_d = 12 \text{ kV}$
- $T_A = -40 \text{ }^\circ\text{C} (-50 \text{ }^\circ\text{C}) \dots +85 \text{ }^\circ\text{C}$
- Secondary connection on shielded cable $3 \times 0.5 \text{ mm}^2$
- Shield between primary and secondary connected to the cable screening
- Customer marking.

Advantages

- Excellent accuracy
- Very good linearity
- Low temperature drift
- Optimized response time
- Wide frequency bandwidth
- No insertion losses
- High immunity to external interference
- Current overload capability.

Applications

- Single or three phase inverter
- Propulsion and braking chopper
- Propulsion converter
- Auxiliary converter
- Battery charger.

Application Domain

- Railway (fixed installations and onboard).

Current Transducer LF 2005-S/SP8

Insulation coordination			
U_d	RMS voltage for AC insulation test, 50 Hz, 1 min	12 ¹⁾	kV
		1.5 ²⁾	kV
U_t	Partial discharge RMS test voltage ($q_m < 10$ pC)	≥ 4.3 ³⁾	kV
		Min	
d_{Cp}	Creepage distance	51.4	mm
d_{Cl}	Clearance	50.8	mm
CTI	Comparative tracking index (group I)	600	

Notes: ¹⁾ Between primary and secondary + shield
²⁾ Between shield and secondary
³⁾ Test carried out with a non-insulation busbar, dimension 290 × 50 × 10 mm, centered in the through-hole.

Safety

This transducer must be used in limited-energy secondary circuits according to IEC 61010-1.



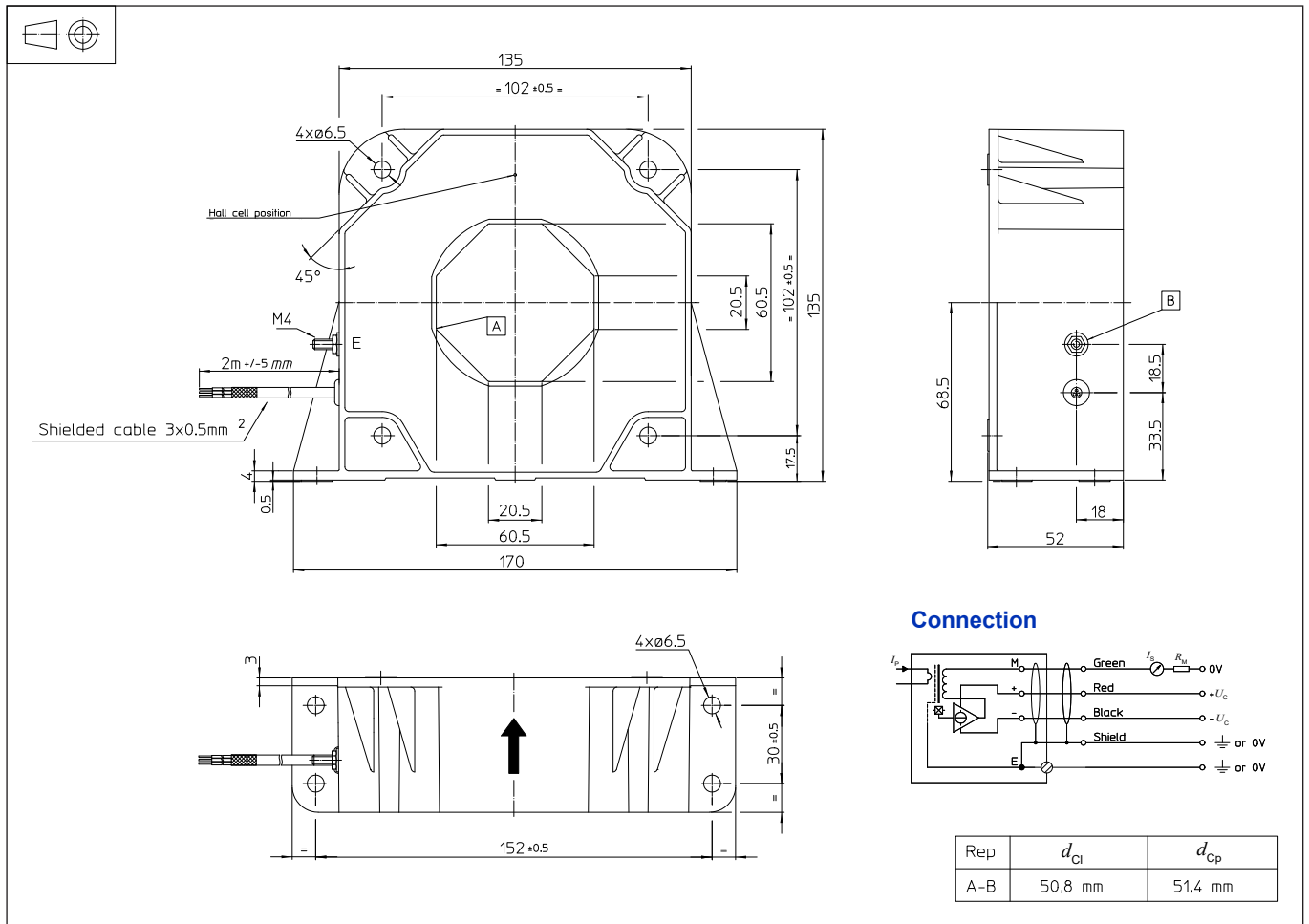
This transducer must be used in electric/electronic equipment with respect to applicable standards and safety requirements in accordance with the manufacturer’s operating instructions.



Caution, risk of electrical shock

When operating the transducer, certain parts of the module can carry hazardous voltage (eg. primary busbar, power supply). Ignoring this warning can lead to injury and/or cause serious damage. This transducer is a build-in device, whose conducting parts must be inaccessible after installation. A protective housing or additional shield could be used. Main supply must be able to be disconnected.

Dimensions LF 2005-S/SP8 (in mm)



Mechanical characteristics

- General tolerance ± 1 mm
- Transducer fastening
Vertical or flat position 4 holes $\varnothing 6.5$ mm
4 M6 steel screws
Recommended fastening torque 5.5 Nm
- Primary through-hole
Or 60.5 × 20.5 mm
 $\varnothing 56$ mm
- Connection of secondary shielded cable 3 × 0.5 mm²
- Connection to shield M4 threaded stud
Recommended fastening torque 1.2 Nm

Remarks

- I_s is positive when I_p flows in the direction of the arrow.
- Temperature of the primary conductor should not exceed 100 °C.
- Dynamic performances (di/dt and delay time) are best with a single bar completely filling the primary hole.