

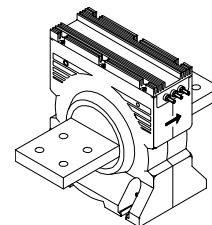
Current Transducer LT 4000-T

$I_{PN} = 4000 \text{ A}$

For the electronic measurement of currents : DC, AC, pulsed..., with a galvanic isolation between the primary circuit (high power) and the secondary circuit (electronic circuit).



0650



Electrical data

I_{PN}	Primary nominal r.m.s. current	4000	A
I_P	Primary current, measuring range	0 .. ± 6000	A
R_M	Measuring resistance	R_{Mmin} R_{Mmax}	
	with $\pm 24 \text{ V}$	@ $\pm 4000 \text{ A}_{max}$	0 10 Ω
		@ $\pm 6000 \text{ A}_{max}$	0 2 Ω
I_{SN}	Secondary nominal r.m.s. current	800	mA
K_N	Conversion ratio	1 : 5000	
V_C	Supply voltage ($\pm 5 \%$)	± 24	V
I_C	Current consumption	$35(@\pm 24\text{V}) + I_s$	mA
V_d	R.m.s. voltage for AC isolation test, 50 Hz, 1 mn	6	kV

Features

- Closed loop (compensated) current transducer using the Hall effect
- Isolated plastic case recognized according to UL 94-V0.

Advantages

- Excellent accuracy
- Very good linearity
- Low temperature drift
- Optimized response time
- Wide frequency bandwidth
- No insertion losses
- High immunity to external interference
- Current overload capability.

Accuracy - Dynamic performance data

X_G	Overall accuracy @ I_{PN} , $T_A = 25^\circ\text{C}$	± 0.5	%
ϵ_L	Linearity	< 0.1	%
I_O	Offset current @ $I_P = 0$, $T_A = 25^\circ\text{C}$	Typ	Max
			± 0.8 mA
I_{OT}	Thermal drift of I_O - $25^\circ\text{C} \dots + 70^\circ\text{C}$	± 0.6	± 0.8 mA
t_r	Response time ¹⁾ @ 90 % of I_{Pmax}	< 1	μs
di/dt	di/dt accurately followed	> 50	A/ μs
f	Frequency bandwidth (- 1 dB)	DC .. 100	kHz

Applications

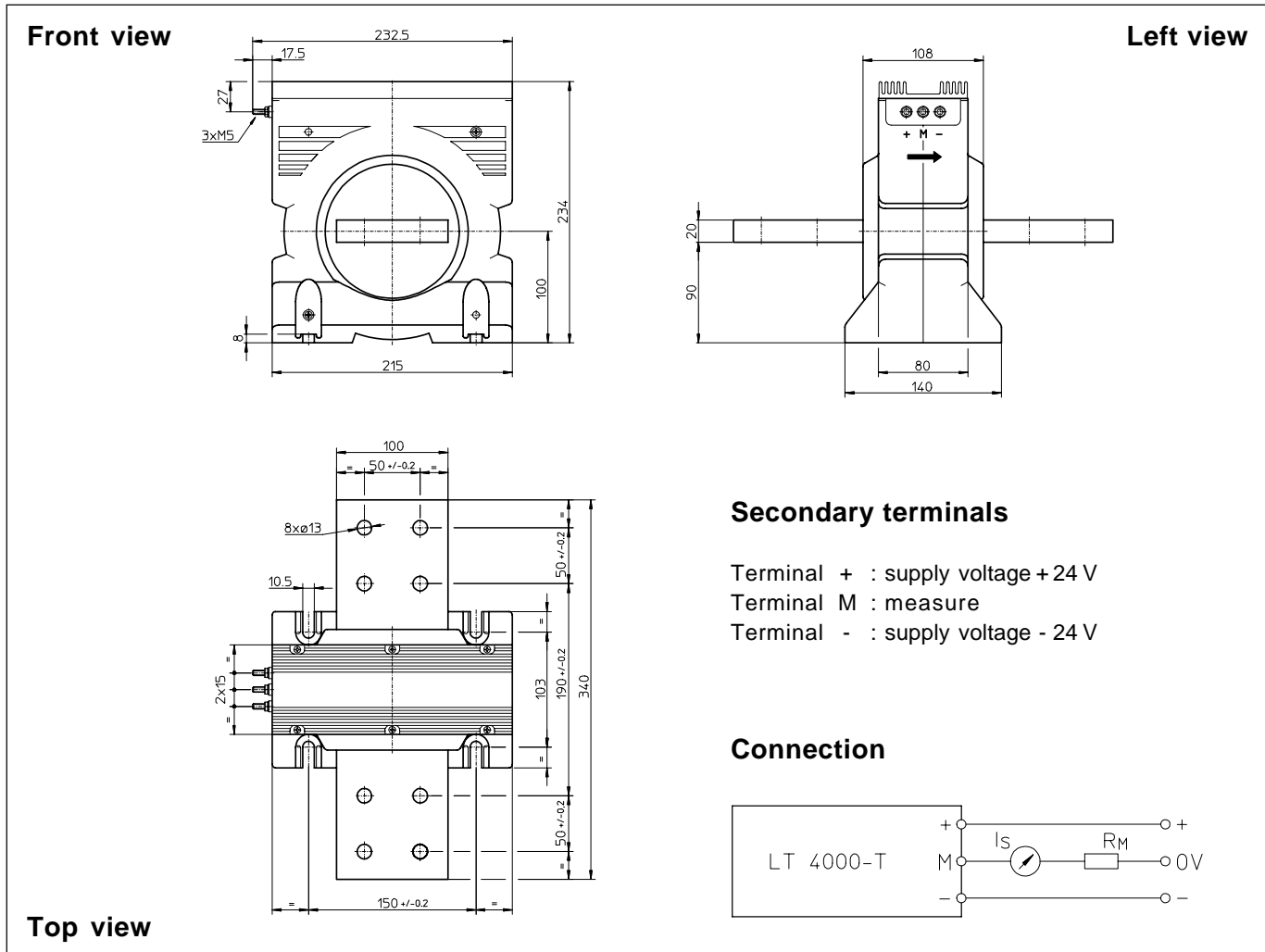
- AC variable speed drives and servo motor drives
- Static converters for DC motor drives
- Battery supplied applications
- Uninterruptible Power Supplies (UPS)
- Switched Mode Power Supplies (SMPS)
- Power supplies for welding applications.

General data

T_A	Ambient operating temperature	- 25 .. + 70	$^\circ\text{C}$
T_S	Ambient storage temperature	- 40 .. + 85	$^\circ\text{C}$
R_S	Secondary coil resistance @ $T_A = 70^\circ\text{C}$	15	Ω
m	Mass	12.1	kg
	Standards	EN 50178: 1997	

Note: ¹⁾ With a di/dt of 100 A/ μs .

Dimensions LT 4000-T (in mm. 1 mm = 0.0394 inch)



Mechanical characteristics

- General tolerance ± 1 mm
- Fastening 4 holes $\varnothing 10.5$ mm or by the primary bar
- Connection of primary 8 holes $\varnothing 13$ mm
- Connection of secondary M5 threaded studs
- Fastening torque 2.2 Nm or 1.62 Lb - Ft

Remarks

- I_s is positive when I_p flows in the direction of the arrow.
- Temperature of the primary conductor should not exceed 100°C.
- This is a standard model. For different versions (supply voltages, turns ratios, unidirectional measurements...), please contact us.