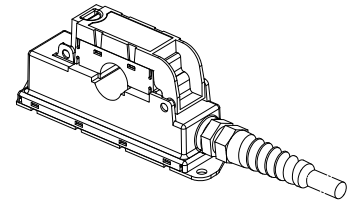


# PointSenz PCM 30-P/SP2

PointSenz PCM 30-P/SP2 is optimised for the electronic measurement of bipolar DC currents, with galvanic separation between the primary and the secondary circuit.



$$I_{PN} = 30 A$$



## Electrical data

$I_{PNDC}$	Primary nominal DC current (continuous)	30	A
$I_{PM}$	Primary current, measuring range	0 ... ±30	A
$I_{out}$	Analogue output current @ $I = 0$	12	mA
$I_{out}$	Analogue output current @ $-I_p$	4	mA
$I_{out}$	Analogue output current @ $+I_p$	20	mA
$R_M$	Measuring resistance	50 ... 250	$\Omega$
$U_C$	Supply voltage <sup>1)</sup> ( $\pm 10\%$ continuous)	+24	V
$I_{Cmax}$	Maximum current consumption <sup>2)</sup>	65	mA

## Accuracy - Dynamic performance data

		Typ	Max
$X$	Accuracy <sup>3) 4)</sup> (5 % of $-I_{p...} + I_p$ ), @ $T_A = +25^\circ C$ , $U_C = +24V$	±1.0	% of $I_p$
	Position sensitivity relative to center reading (max)	±1.5	% of $I_p$
$\epsilon_L$	Linearity error <sup>4)</sup> (0 ... ± $I_p$ )	±0.2	% of $I_p$
$I_O$	Offset current @ $I_p = 0$ , $T_A = 25^\circ C$ (max)	±12.±0.3	mA
$I_{OM}$	Magnetic offset current @ $I_p = 0$ and specified $R_M$ , after an overload of $3 \times I_{PN}$	±0.04	mA
$I_{OT}$	Temperature variation of $I_O$ $T_A = -25^\circ C \dots +70^\circ C$	±0.06	mA/°K
$TCG$	Temperature coefficient of $G$ , $T_A = -25^\circ C \dots +70^\circ C$	±0.05	%/°K
$t_{D90}$	Delay time to 90 % of $I_{PN}$ <sup>5)</sup>	< 30	$\mu s$
$BW$	Frequency bandwidth (-3 dB)	DC ... 1	kHz

## General data

$T_A$	Ambient operating temperature	-25 ... +55	°C
$T_S$	Ambient storage temperature	-25 ... +85	°C
	Relative humidity $T_A = 40^\circ C$	95	%
$m$	Mass	155	g
	Standards:	EN 50155: 1995 EN 50121-4: 2001 EN 50121-3-2: 2015 <sup>6)</sup>	

## Features

- Closed loop (compensated) current transducer using the Hall effect
- Panel mounting
- Split core design for easy installation
- Insulating plastic case recognized according to UL 94-V0
- Reverse polarity protected.

## Advantages

- Excellent accuracy
- Very good linearity
- Current overload capability
- No insertion losses
- Non-contact measurement (does not need a safety case).

## Applications

- Points condition monitoring
- Signal light indication
- Battery supplied applications
- Uninterruptable Power Supplies (UPS).

## Application Domain

- Track side.

## Current Transducer PCM 30-P/SP2

**Note(s):** <sup>1)</sup> Reverse polarity protection

<sup>2)</sup> Including  $I_{out}$

<sup>3)</sup> Excludes electrical offset

<sup>4)</sup> Includes linearity with the conductor in the centre of the aperture

<sup>5)</sup> For a  $di/dt > 50 \text{ A}/\mu\text{s}$

<sup>6)</sup> Deviation of the offset during the test IEC 61000-4-3 @ 20 V/m between 500 MHz and 1GHz

### Insulation coordination

$U_{Nm}$	Rated insulation RMS voltage <sup>5)</sup>	200 Min	V
$d_{Cp}$	Creepage distance	12	mm
$d_{Cl}$	Clearance	10	mm
$CTI$	Comparative tracking index (group IIIa)	175	

**Note:** <sup>5)</sup> Overvoltage category II, Pollution degree 2

### Safety



This transducer must be used in electric/electronic equipment with respect to applicable standards and safety requirements in accordance with the manufacturer's operating instructions.



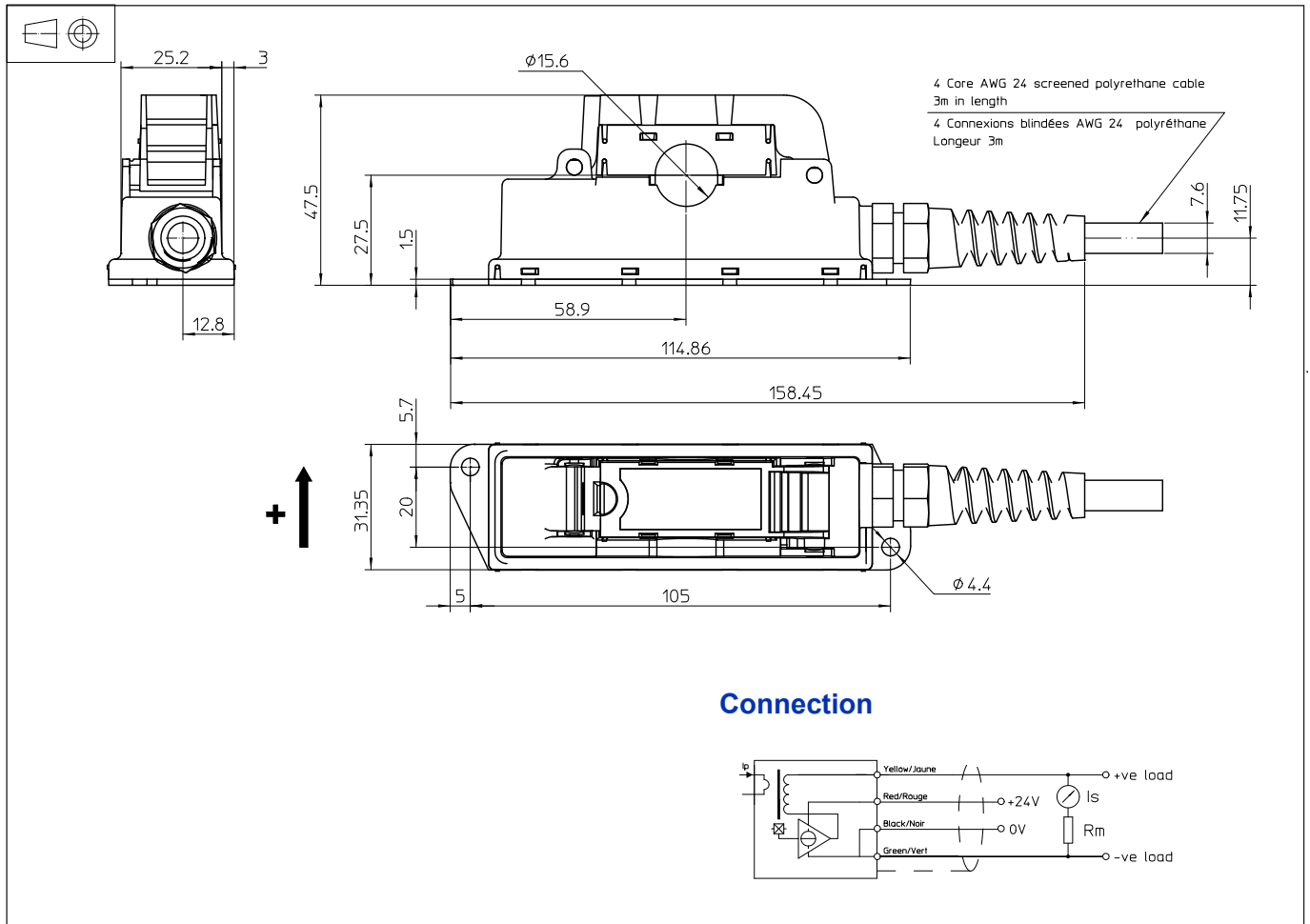
Caution, risk of electrical shock

When operating the transducer, certain parts of the module can carry hazardous voltage (e.g. primary busbar, power supply). Ignoring this warning can lead to injury and/or cause serious damage.

This transducer is a build-in device, whose conducting parts must be inaccessible after installation. A protective housing or additional shield could be used.

Main supply must be able to be disconnected.

## Dimensions PCM 30-P/SP2 (in mm, 1 mm = 0.0394 inch)



### Mechanical characteristics

- General tolerance  $\pm 0.5$  mm
- Primary through-hole  $\phi 15$  mm
- Connection of secondary Via a 4 core screened polyurethane cable 3 m in length, Halogen free
- Enclosure UL 94-V0 rated plastic

### Remarks

- $I_{out}$  is positive when  $I_p$  flows in the direction of the arrow.
- Temperature of the primary conductor should not exceed  $90^\circ\text{C}$ .
- This unit is intended for direct mounting in trackside applications. It should only be installed or removed from isolated hazardous live conductors or unisolated hazardous live conductors which are switched off.
- As it is a sealed unit no moisture should be allowed to ingress into the unit during installation.
- Connections between the transducer and the customers power supply and output monitoring equipment should be made with screened cable.