

Mesh Gate 6424-L & Mesh Node-L Long Range

Mesh Gate 6424-L: Stand-alone gateway which manages the wireless network and collects data periodically sent by the EMN, Wi-Zone and/or Wi-Pulse devices. The Mesh Gate 6424-L family is split into three options according to the number of end nodes allowed in the network.



| Description | Maximum number of Nodes |
|-------------------------------|-------------------------|
| Mesh Gate 6424 10-L (ID 170) | 10 |
| Mesh Gate 6424 100-L (ID 200) | 100 |
| Mesh Gate 6424 200-L (ID 220) | 200 |



Mesh Node-L: Network repeater allowing extended distance between the EMN, Wi-Zone and/or Wi-Pulse devices and the Mesh Gate. A Mesh network provides redundant data paths to the gateway.



Features

- Mesh, Star and Star-Mesh Network topologies
- Interface RS 232 Modbus RTU (Gateway only) ¹⁾
- RF frequency range ²⁾

| | |
|--------------|-----|
| 2405 .. 2480 | MHz |
| 802.15.4 | |

 - ◆ Programmable in 16 channels
 - ◆ Channel spacing 5 MHz
 - ◆ Unlicensed ISM band worldwide
- Range between Mesh Node-L and Mesh Gate 6424-L

| | | |
|-------------------------|-----|---|
| (indoor, line of sight) | 140 | m |
|-------------------------|-----|---|
- Range to EMN (indoor, line of sight)

| | | |
|--|----|---|
| | 30 | m |
|--|----|---|
- Data rate

| | | |
|--|-----|------|
| | 250 | kbps |
|--|-----|------|
- Power supply voltage AC adaptor (see page two)

| | | |
|--|---------|------|
| | 6 to 30 | V DC |
|--|---------|------|
- RF output power

| | | |
|--|---------------|--|
| | 10 dBm (10mW) | |
|--|---------------|--|

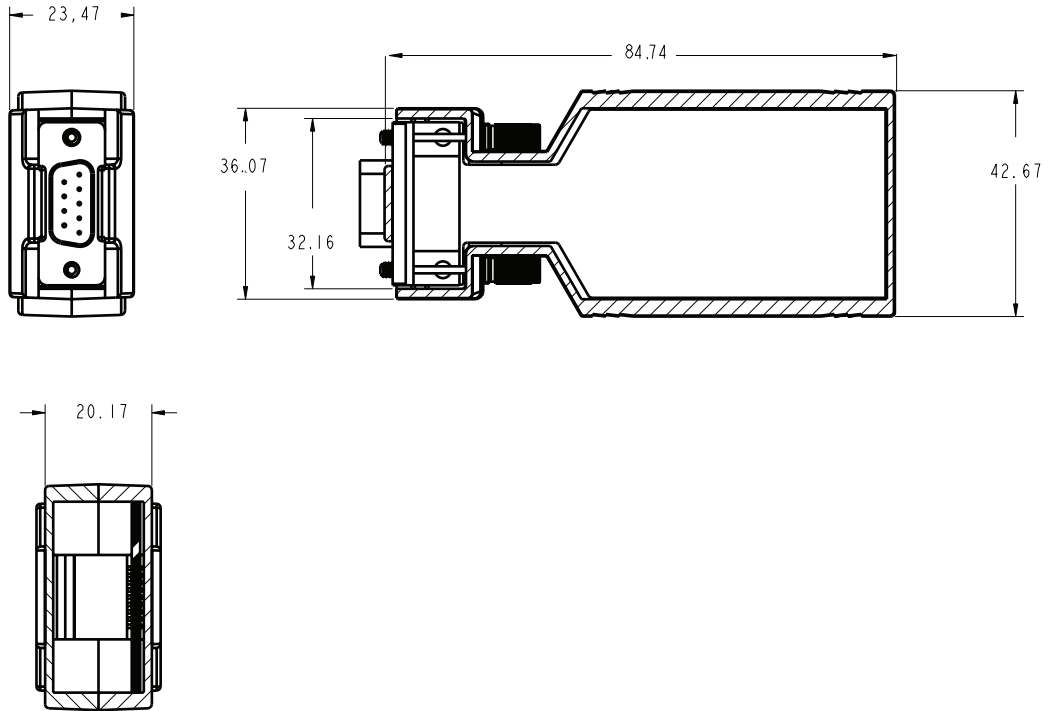
General data

| | | | |
|-------|-------------------------------|--------------|----|
| P_C | Power consumption | 200 | mA |
| T_A | Ambient operating temperature | - 10 .. + 55 | °C |
| T_S | Storage temperature | - 25 .. + 85 | °C |
| m | Mass Mesh Gate 6424-L | 60 | g |
| | Mesh Node-L | 151 | g |

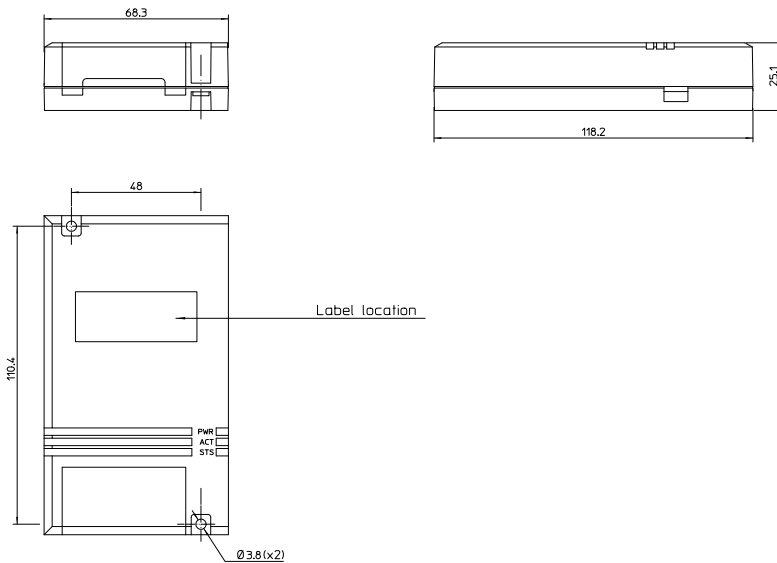
Notes: ¹⁾ For more information, see WI-LEM user guide

²⁾ RF Certifications: CE, FCC, IC.

Mesh Gate 6424-L (in mm. 1mm = 0.0394 inch)



Mesh Node-L (in mm. 1mm = 0.0394 inch)



Power Supply: AC Adaptor

Please order separately the Mesh Gate 6424-L & Mesh Node-L AC Power Supply according to the table below.

| Reference | Description | LEM code |
|------------------|--------------------------------|----------------|
| AC Adaptor EU | AC Power Supply for EU | 90.D2.98.004.0 |
| AC Adaptor UK | AC Power Supply for UK | 90.D2.98.005.0 |
| AC Adaptor US/JP | AC Power Supply for US & Japan | 90.D2.98.003.0 |